



Technical Data
 Data Sheet N2568, REV.-



S6D10065A/S6D10065F/S6D10065E/S6D10065G/S6D10065I/S6D10065D1 10A 650V SIC POWER SCHOTTKY RECTIFIERS

Description

This 650V 10A diode is a high voltage Schottky rectifier that have very low total conduction losses and very stable switching characteristics over temperature extremes. The S6D10065A/S6D10065F/S6D10065E/S6D10065G/S6D10065I/S6D10065D1 are ideal for energy sensitive, high frequency applications in challenging environments.

Features

- 175°C T_J operation
- Ultra-low switching loss
- Switching speeds independent of operating temperature
- Low total conduction losses
- High forward surge current capability
- High package isolation voltage
- Terminals finish: 100% Pure Tin
- Pb – Free Device
- All SMC parts are traceable to the wafer lot
- Additional electrical and life testing can be performed upon request

Applications

- Alternative energy inverters
- Power Factor Correction (PFC)
- Free-Wheeling diodes
- Switching supply output rectification
- Reverse polarity protection

S6D10065A	S6D10065F	S6D10065E	S6D10065G	S6D10065I	S6D10065D1
TO-220AC (TO-220-2)	ITO-220AC (TO-220-F2)	DPAK (TO-252-2)	D ² PAK (TO-263-2)	TO-220- Isolation	TO-247AD TO-247-3



Technical Data
 Data Sheet N2568, REV.-



Maximum Ratings:

Characteristics	Symbol	Condition	Max.	Units
Peak Repetitive Reverse Voltage Working Peak Reverse Voltage DC Blocking Voltage	V_{RRM} V_{RWM} V_{DC}	-	650	V
Average Rectified Forward Current	$I_{F(AV)1}$	$T_C=25^{\circ}C$	33	A
	$I_{F(AV)2}$	$T_C=135^{\circ}C$	14	A
	$I_{F(AV)3}$	$T_C=150^{\circ}C$	10	A
Repetitive Peak Forward Surge Current	I_{FRM1}	10ms, Half Sine pulse, $T_C=25^{\circ}C$	48	A
	I_{FRM2}	10ms, Half Sine pulse, $T_C=110^{\circ}C$	25	A
Peak One Cycle Non-Repetitive Surge Current	I_{FSM1}	10ms, Half Sine pulse, $T_C=25^{\circ}C$	80	A
	I_{FSM2}	10ms, Half Sine pulse, $T_C=110^{\circ}C$	72	A
Non-Repetitive Peak Forward Surge Current	$I_{F,Max1}$	10 μ s. Pulse, $T_C=25^{\circ}C$	1250	A
	$I_{F,Max2}$	10 μ s. Pulse, $T_C=110^{\circ}C$	1100	A
Power Dissipation	P_{tot1}	$T_C=25^{\circ}C$	103	W
	P_{tot2}	$T_C=110^{\circ}C$	45	W
TO-220 Mounting Torque		M3 Screw	1	Nm
		6-32 Screw	8.8	bf-in



Electrical Characteristics:

Characteristics	Symbol	Condition	Typ.	Max.	Units
Forward Voltage Drop*	V _{F1}	@ 10A, Pulse, T _J = 25 °C	1.35	1.50	V
	V _{F2}	@ 10A, Pulse, T _J = 175 °C	1.5	1.60	V
Reverse Current*	I _{R1}	@V _R = rated V _R T _J = 25 °C	0.7	40	uA
	I _{R2}	@V _R = rated V _R T _J = 175 °C	7	160	uA
Junction Capacitance	C _T	V _R =0V, T _J =25°C, f=1MHz	769	-	pF
Reverse Recovery Charge	Q _c	I _F = 10A, di/dt = 200A/μs V _R = 400 V, T _J =25°C	47.91	-	nC
Capacitance Stored Energy	E _c	V _R = 400 V, T _J =25°C	11.74	-	μJ

* Pulse width < 300 μs, duty cycle < 2%

Thermal-Mechanical Specifications:

Characteristics	Symbol	S6D10065A	S6D10065F	S6D10065E	S6D10065G	S6D10065I	S6D10065D1	Units
Junction Temperature	T _J	-55 to +175						°C
Storage Temperature	T _{stg}	-55 to +175						°C
Typical Thermal Resistance Junction to Case	R _{θJC}	1.4	4	1.5	1.65	3.3	0.84(per leg) 0.42(both leg)	°C/W

Ordering Information

Device	Package	Shipping
S6D10065A	TO-220AC(TO-220-2)	50pcs / tube
S6D10065F	ITO-220AC(TO-220-F2)	50pcs / tube
S6D10065E	DPAK(TO-252-2)	2500pcs / reel
S6D10065G	D2PAK(TO-263-2)	800pcs / reel
S6D10065I	TO-220-Isolation	50pcs / tube
S6D10065D1	TO-247AD(TO-247-3)	25pcs / tube

For information on tape and reel specifications, including part orientation and tape sizes, please refer to our tape and reel packaging specification.



Ratings and Characteristics Curves

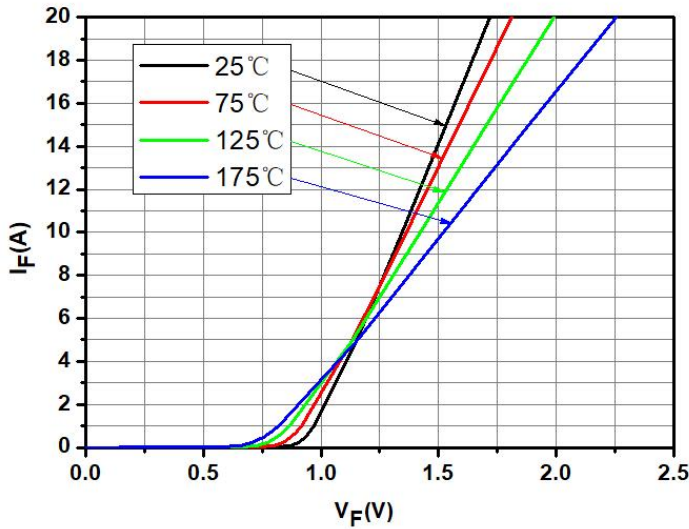


Fig.1-Typical Forward Voltage Characteristics

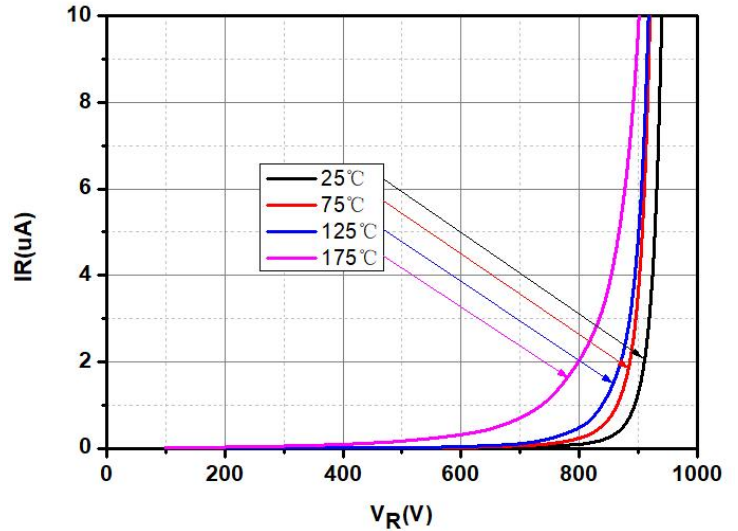


Fig.2-Typical Reverse Characteristics

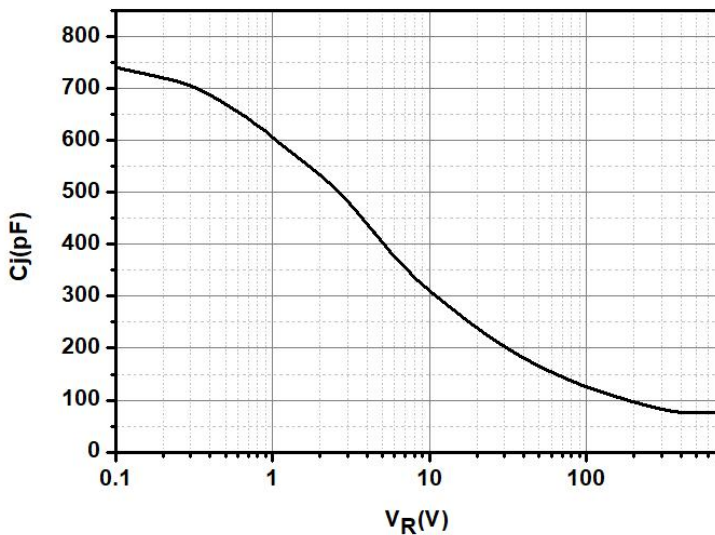


Fig.3-Capacitance vs. Reverse Voltage

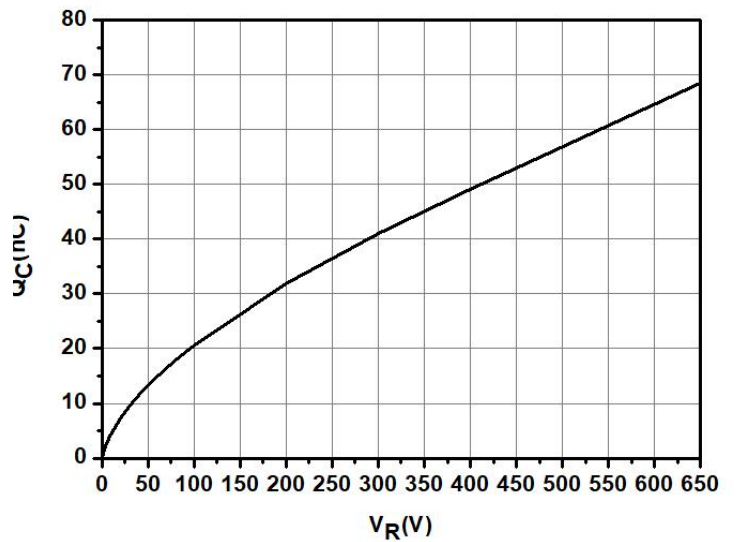


Fig.4-Total Capacitance Charge vs. Reverse Voltage

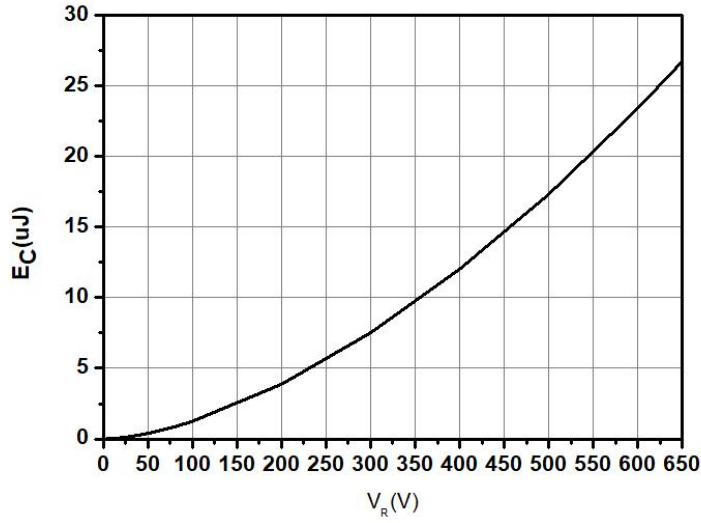


Fig.5-Capacitance Stored Energy

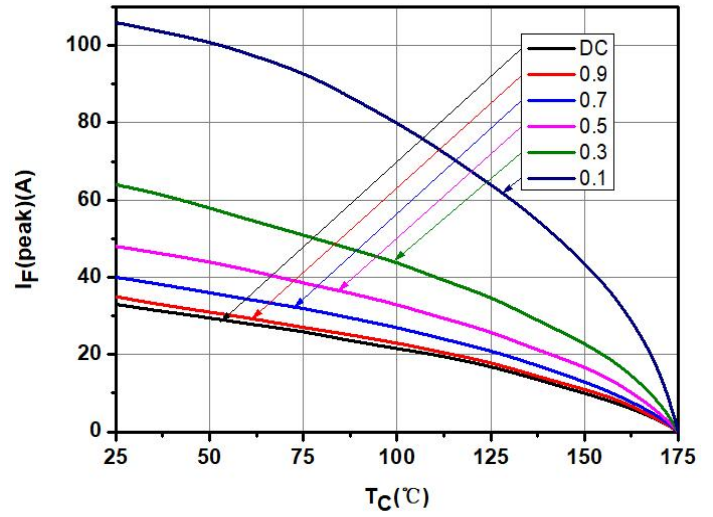


Fig.6-Current Derating

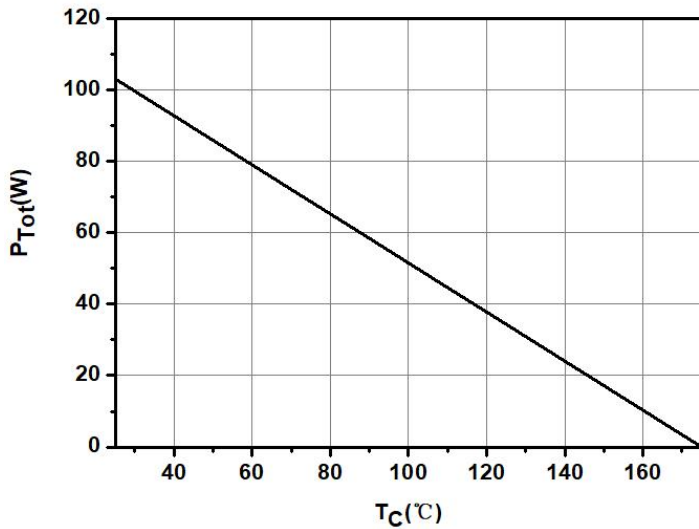


Fig.7-Power Derating

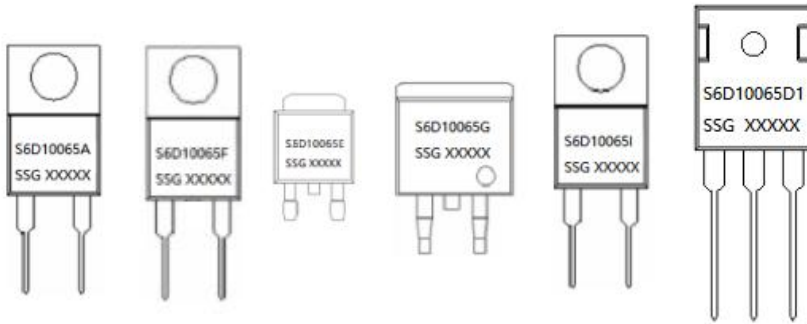
S6D10065A
 S6D10065F
 S6D10065E
 S6D10065G
 S6D10065I
 S6D10065D1



Technical Data
 Data Sheet N2568, REV.-



Marking Diagram

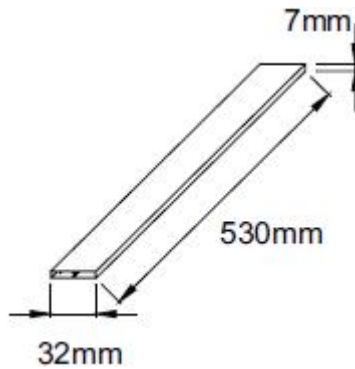


Where XXXXX is YYWWL

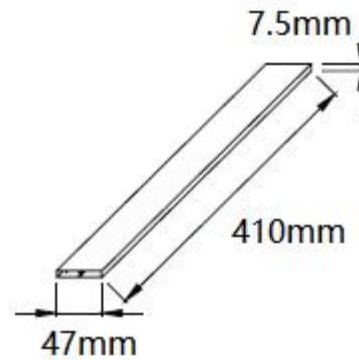
S6D = Device Type
 A/F/E/G/I/D1 = Package type
 10 = Forward Current (10A)
 065 = Reverse Voltage (650V)
 SSG = SSG
 YY = Year
 WW = Week
 L = Lot Number

Cautions: Molding resin
 Epoxy resin UL:94V-0

Tube Specification

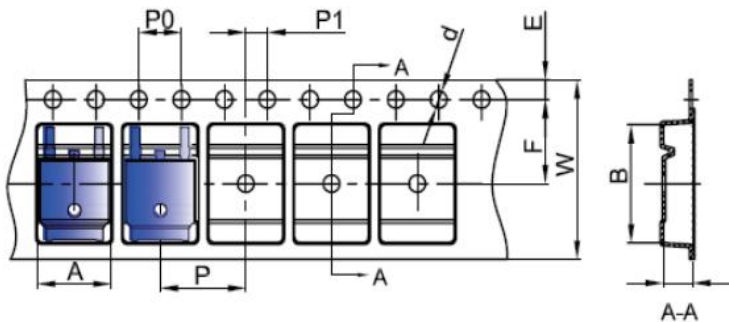


(TO-220-2/TO-220-F2/TO-220-Isolation)



(TO-247-3)

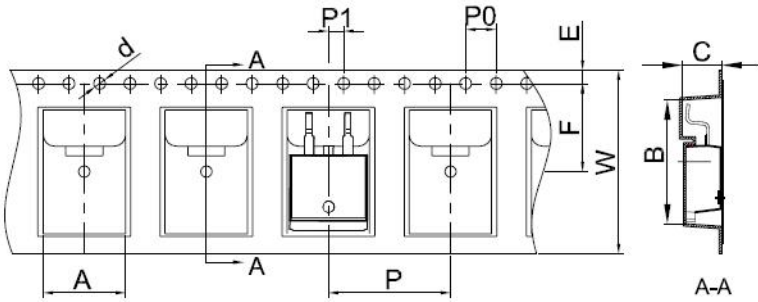
Carrier Tape & Reel Specification DPAK(TO-252-2)



SYMBOL	Millimeters	
	Min.	Max.
A	6.80	7.00
B	10.40	10.60
C	2.60	2.80
d	Φ1.45	Φ1.65
E	1.65	1.85
F	7.40	7.60
P0	3.90	4.10
P	7.90	8.10
P1	1.90	2.10
W	15.90	16.30

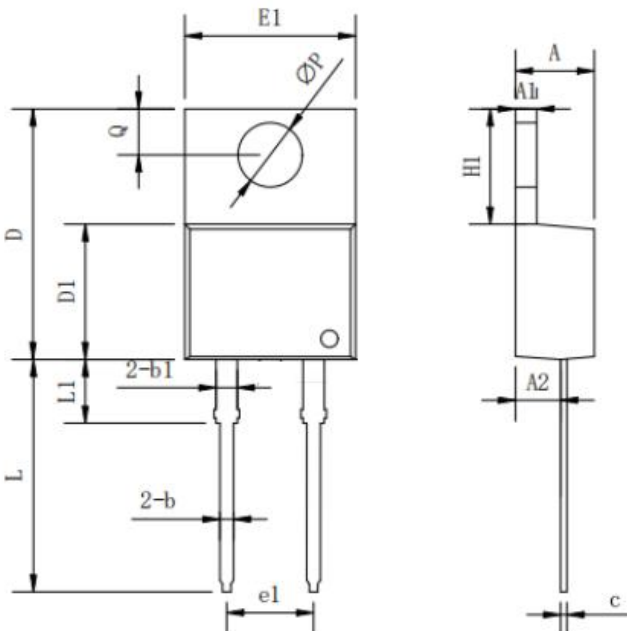
- China - Germany - Korea - Singapore - United States •
- <http://www.smc-diodes.com> - sales@smc-diodes.com •

Carrier Tape & Reel Specification D2PAK(TO-263-2)



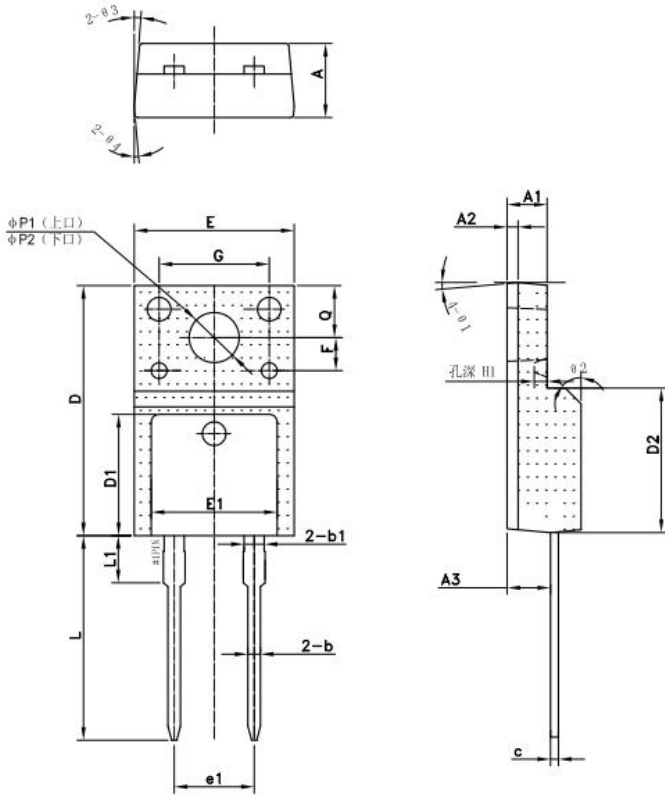
SYMBOL	Millimeters	
	Min.	Max.
A	10.70	10.90
B	16.03	16.23
C	5.11	5.31
d	1.45	1.65
E	1.65	1.85
F	11.40	11.60
P0	3.90	4.10
P	15.90	16.10
P1	1.90	2.10
W	23.90	24.30

Mechanical Dimensions TO-220AC(TO-220-2)



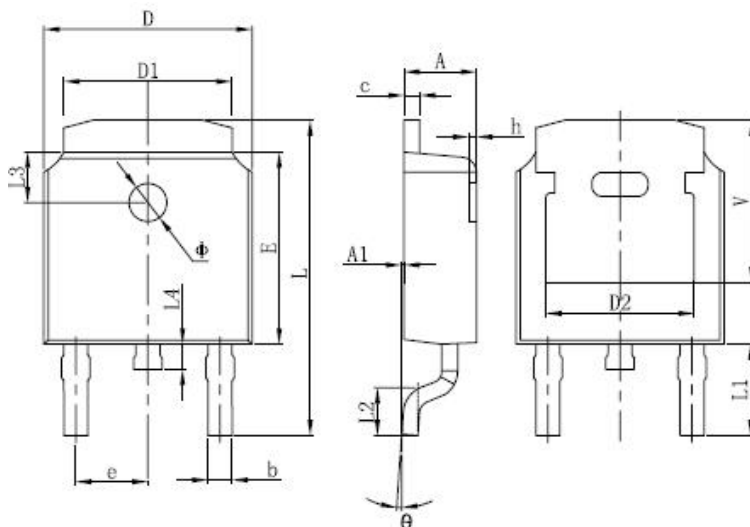
Symbol	Dimensions in millimeters		
	Min.	Typical	Max.
A	3.56	-	4.83
A1	0.51	-	1.40
A2	2.03	-	2.92
b	0.38	-	1.02
b1	1.14	-	1.78
c	0.31	-	0.61
D	14.22	-	16.51
D1	8.38	-	9.42
E1	9.65	10.16	10.67
e1	-	5.08	-
H1	5.84	-	6.86
L	12.70	-	14.73
L1	-	-	6.35
ΦP	-	3.56	-
Q	2.54	-	3.43

Mechanical Dimensions ITO-220AC(TO-220-2F)



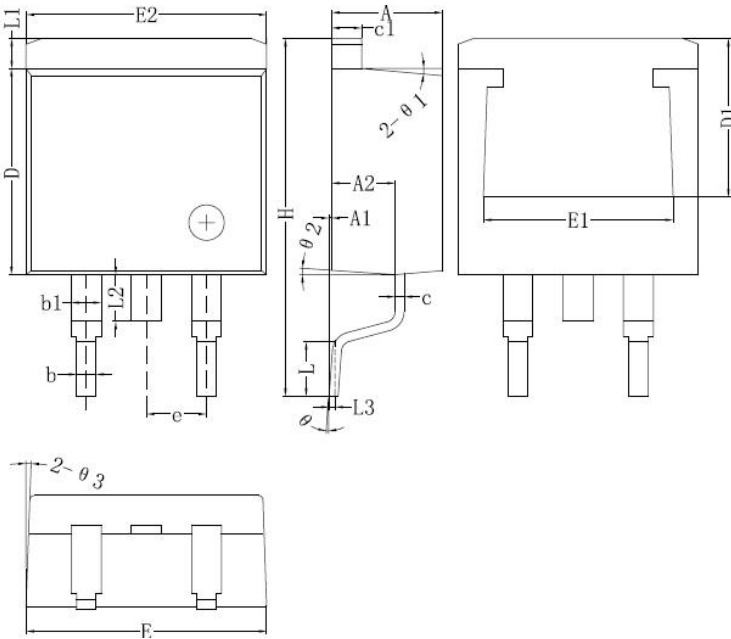
Symbol	Dimensions in millimeters		
	Min.	Typical	Max.
A	4.50	4.70	4.90
A1	2.34	2.54	2.74
A2		0.70	
A3	2.56	2.76	2.96
b	0.70	0.80	0.95
b1		1.28	
c	0.45	0.50	0.65
D	15.67	15.87	16.07
D1		7.70	
D2		9.12	
E	9.96	10.16	10.36
E1		8.00	
e1		5.08	
F		2.1	
G		7	
H1		0.81	
L	12.48	12.98	13.20
L1		2.93	
4>P1 (上口)	2.98	3.18	3.38
4>P2 (下口)	3.20	3.40	3.60
Q	3.10	3.30	3.50
e 1		5°	
02		45°	
03		5°	
e 4		5°	

Mechanical Dimensions DPAK(TO-252-2)



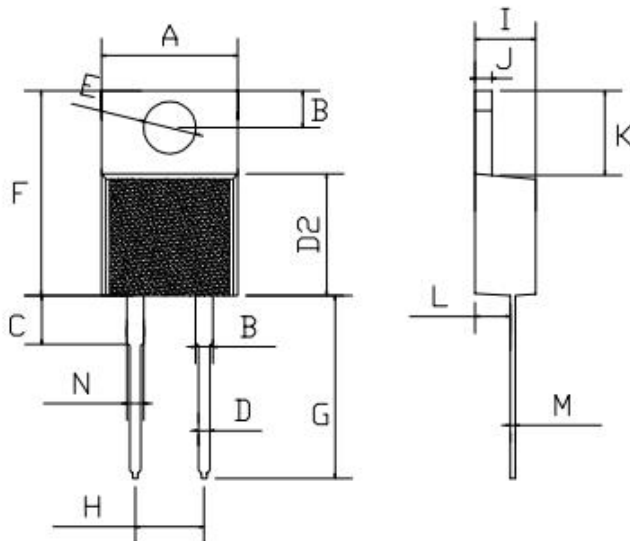
SYMBOL	Dimensions in millimeters		
	Min.	Typ.	Max.
A	2.18	-	2.39
A1	-	-	0.13
b	0.64	-	0.89
c	0.46	-	0.89
D	6.35	-	6.73
D1	4.95	-	5.46
D2	4.32	-	-
E	5.97	6.10	6.22
e	2.29BSC		
L	9.40	-	10.41
L1	2.90 REF.		
L2	1.40	1.52	1.78
L4	-	-	1.02
Φ	1.1	-	1.3
Θ	0°	-	10°
V	5.21	-	-

Mechanical Dimensions D²PAK(TO-263-2)



Symbol	Dimensions in millimeters	
	Min.	Max.
A	4.06	4.83
A1	0	0.26
b	0.51	0.99
b1	1.14	1.78
c	0.31	0.74
c1	1.14	1.65
D	8.38	9.65
D1	6.4	
E1	6.22	
E2	9.65	10.67
e	2.54BSC	
H	14.6	15.88
L	1.78	2.8
L1	-	1.68
L2	-	2.2
L3	0.255BSC	
Θ	0	8°

Mechanical Dimensions TO-220-Isolation



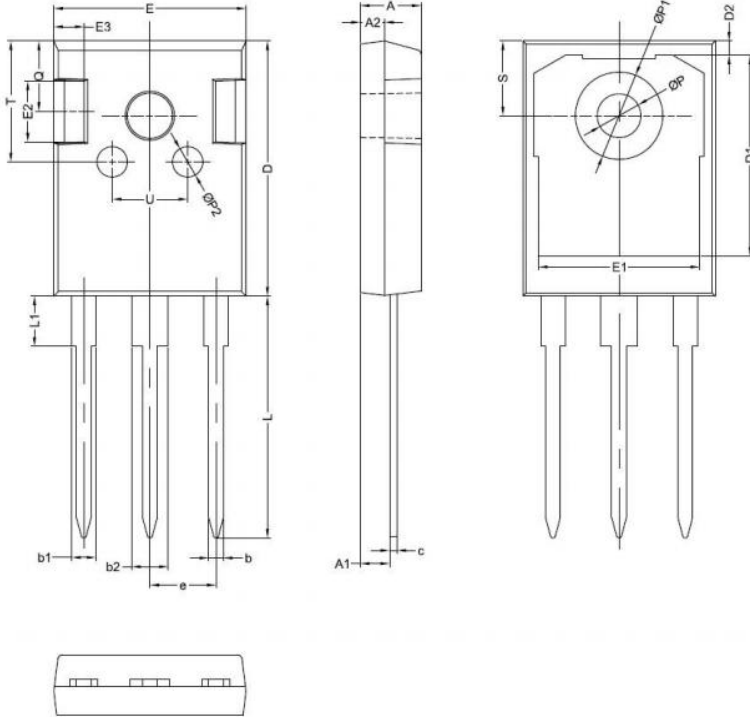
SYMBOL	Millimeters		Inches	
	Min.	Max.	Min.	Max.
A	9.7	10.4	0.381	0.409
B	2.5	3.0	0.098	0.118
C	3.5	3.9	0.137	0.153
D	0.7	0.92	0.027	0.036
E	3.72	3.95	0.146	0.155
F	14.51	15.55	0.571	0.612
G	12.95	13.9	0.509	0.547
H	4.95	5.19	0.194	0.204
I	4.38	4.65	0.172	0.183
J	1.15	1.36	0.045	0.053
K	5.86	6.38	0.230	0.251
L	2.35	2.85	0.092	0.112
M	0.32	0.58	0.012	0.022
N	1.18	1.42	0.046	0.055



Technical Data
 Data Sheet N2568, REV.-



Mechanical Dimensions TO-247AD



SYMBOL	Millimeters		
	MIN.	TYP.	MAX.
A	4.80	5.00	5.20
A1	2.20	2.41	2.61
A2	1.90	2.00	2.10
b	1.10	1.20	1.40
b1	1.80	2.00	2.20
b2	2.80	3.00	3.20
c	0.50	0.60	0.75
D	20.30	21.00	21.20
D1		16.55	
D2		1.20	
E	15.45	15.80	16.00
E1		13.30	
E2		5.00	
E3		2.50	
e		5.44	
L	19.42	19.92	20.70
L1		4.13	
P	3.50	3.60	3.70
P1	7.1		7.40
P2		2.50	
Q		5.80	
S	6.05	6.15	6.25
T		10.00	
U		6.20	

S6D10065A
S6D10065F
S6D10065E
S6D10065G
S6D10065I
S6D10065D1



Technical Data
Data Sheet N2568, REV.-



DISCLAIMER:

1- The information given herein, including the specifications and dimensions, is subject to change without prior notice to improve product characteristics. Before ordering, purchasers are advised to contact the SMC Diode Solutions sales department for the latest version of the datasheet(s).

2- In cases where extremely high reliability is required (such as use in nuclear power control, aerospace and aviation, traffic equipment, medical equipment, and safety equipment), safety should be ensured by using semiconductor devices that feature assured safety or by means of users' fail-safe precautions or other arrangement.

3- In no event shall SMC Diode Solutions be liable for any damages that may result from an accident or any other cause during operation of the user's units according to the datasheet(s). SMC Diode Solution assumes no responsibility for any intellectual property claims or any other problems that may result from applications of information, products or circuits described in the datasheets.

4- In no event shall SMC Diode Solutions be liable for any failure in a semiconductor device or any secondary damage resulting from use at a value exceeding the absolute maximum rating.

5- No license is granted by the datasheet(s) under any patents or other rights of any third party or SMC Diode Solutions.

6- The datasheet(s) may not be reproduced or duplicated, in any form, in whole or part, without the expressed written permission of SMC Diode Solutions.

7- The products (technologies) described in the datasheet(s) are not to be provided to any party whose purpose in their application will hinder maintenance of international peace and safety nor are they to be applied to that purpose by their direct purchasers or any third party. When exporting these products (technologies), the necessary procedures are to be taken in accordance with related laws and regulations..